

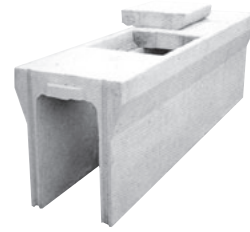
リボーン側溝

(NETIS登録番号:No.CG-980014-VE)

リボーン側溝の特徴

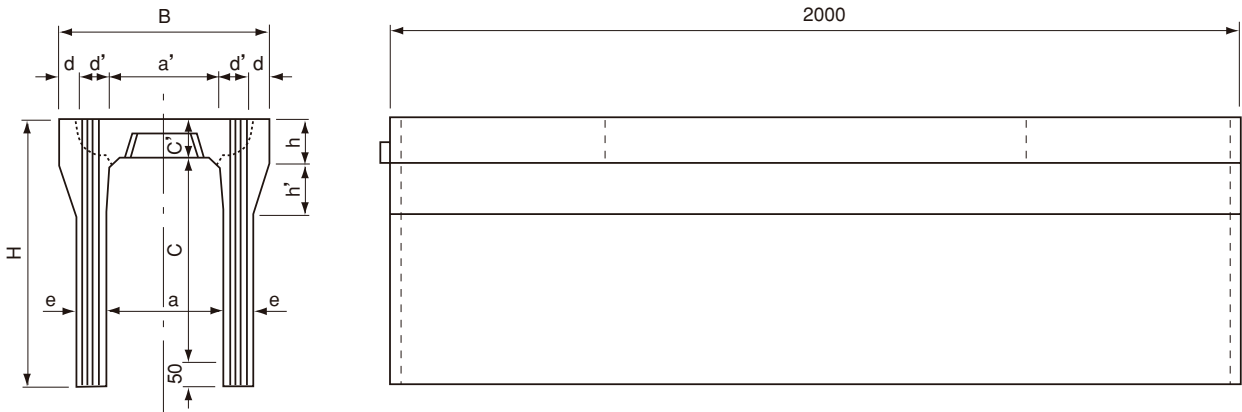
- ◎活荷重は、T-25(縦断)です。
- ◎構造的要因(蓋受け部を曲面)により、確実に騒音が解消できます。
- ◎騒音防止ゴム等の緩衝材を使用する必要がありません。
- ◎蓋のガタツキによる磨耗・角破損がなくなります。
- ◎本体と蓋との隙間に砂等が入ってもガタツキがなく、むしろ安定させる要因となります。

製品写真



RSタイプ製品図・規格表 (mm)

標準品本体



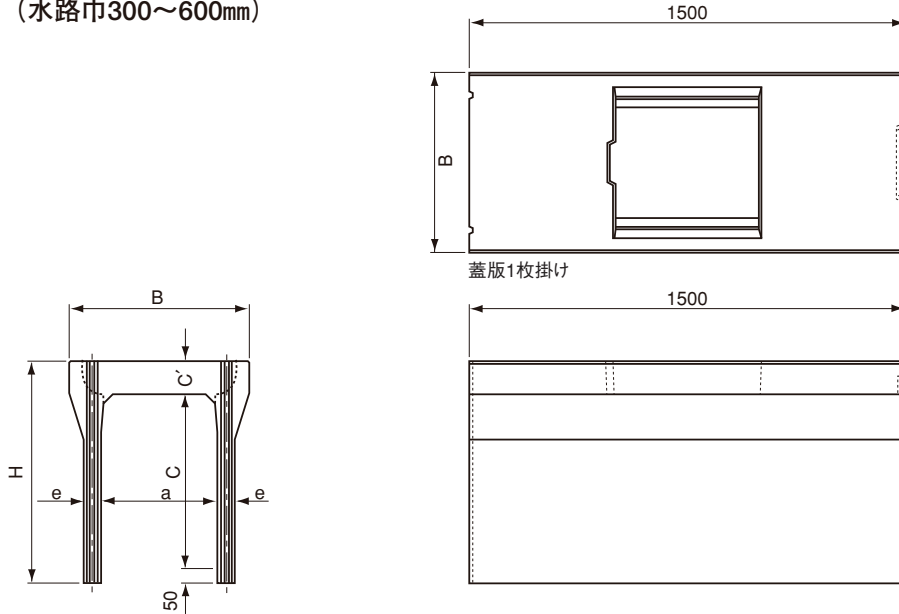
規格寸法表

| 呼び名 (巾×深) | 参考質量 (kg) | 単価 (円) | 寸法 (mm) | | | | | | | | | | | | |
|--------------|--------------|-----------|---------|------|------|------|-----|-------|------|------|------|-----|-----|-----|------|
| | | | B | H | a | a' | c | c' | d | d' | e | h | h' | | |
| RS-300×300 | 363 | — | 510 | 450 | 300 | 285 | 300 | 100 | 45 | 67.5 | 55 | 95 | 150 | | |
| RS-300×400 | 414 | — | | | | | | | | | | | | 750 | 600 |
| RS-300×500 | 466 | — | | | | | | | | | | | | | |
| RS-300×600 | 576 | — | | | | | | | | | | | | 750 | 900 |
| RS-300×700 | 636 | — | | | | | | | | | | | | | |
| RS-300×800 | 849 | — | | | | | | | | | | | | 850 | 1100 |
| RS-300×900 | 929 | — | | | | | | | | | | | | | |
| RS-300×1000 | 1009 | — | | | | | | | | | | | | 950 | 1050 |
| RS-300×1100 | 1088 | — | | | | | | | | | | | | | |
| RS-400×400 | 494 | — | | | | | | | | | | | | 620 | 565 |
| RS-400×500 | 550 | — | 765 | 600 | | | | | | | | | | | |
| RS-400×600 | 606 | — | | | 700 | 800 | | | | | | | | | |
| RS-400×700 | 730 | — | 750 | 900 | | | | | | | | | | | |
| RS-400×800 | 796 | — | | | 800 | 1000 | | | | | | | | | |
| RS-400×900 | 1032 | — | 850 | 1100 | | | | | | | | | | | |
| RS-400×1000 | 1116 | — | | | 900 | 1200 | | | | | | | | | |
| RS-400×1100 | 1200 | — | 950 | 1300 | | | | | | | | | | | |
| RS-400×1200 | 1285 | — | | | 1000 | 1465 | | | | | | | | | |
| RS-400×1300 | 1369 | — | 1050 | 1680 | | | | | | | | | | | |
| RS-500×500 | 672 | — | | | 740 | 680 | 500 | 477 | 130 | 55 | 76.5 | 70 | 125 | 170 | |
| RS-500×600 | 738 | — | 780 | 600 | | | | | | | | | | | |
| RS-500×700 | 804 | — | | | | | | | | | | | | | 700 |
| RS-500×800 | 869 | — | 750 | 900 | | | | | | | | | | | |
| RS-500×900 | 1151 | — | | | | | | | | | | | | | 800 |
| RS-500×1000 | 1240 | — | 850 | 1100 | | | | | | | | | | | |
| RS-500×1100 | 1329 | — | | | | | | | | | | | | | 900 |
| RS-500×1200 | 1418 | — | 950 | 1300 | | | | | | | | | | | |
| RS-500×1300 | 1507 | — | | | | | | | | | | | | | 1000 |
| RS-500×1400 | 1596 | — | 1050 | 1500 | | | | | | | | | | | |
| RS-500×1500 | 1685 | — | | | 1100 | 1600 | | | | | | | | | |
| RS-500×1600 | 1774 | — | 1150 | 1780 | | | | | | | | | | | |
| RS-600×600 | 830 | — | | | 830 | 795 | 600 | 564.4 | 145 | 60 | 72.8 | 75 | 140 | 180 | |
| RS-600×700 | 900 | — | 895 | 700 | | | | | | | | | | | |
| RS-600×800 | 970 | — | | | | | | | | | | | | | 800 |
| RS-600×900 | 1041 | — | 900 | 900 | | | | | | | | | | | |
| RS-600×1000 | 1350 | — | | | | | | | | | | | | | 950 |
| RS-600×1100 | 1444 | — | 1000 | 1100 | | | | | | | | | | | |
| RS-600×1200 | 1538 | — | | | | | | | | | | | | | 1050 |
| RS-600×1300 | 1631 | — | 1100 | 1300 | | | | | | | | | | | |
| RS-600×1400 | 1725 | — | | | | | | | | | | | | | 1150 |
| RS-600×1500 | 1819 | — | 1200 | 1500 | | | | | | | | | | | |
| RS-600×1600 | 1913 | — | | | 1250 | 1600 | | | | | | | | | |
| RS-600×1700 | 2006 | — | 1300 | 1700 | | | | | | | | | | | |
| RS-600×1800 | 2354 | — | | | 1350 | 1800 | 145 | 60 | 81.2 | 100 | 140 | 200 | | | |

標準外品 (付属品)

[注文製品ですので、納入数、期日の御連絡をお願いいたします]

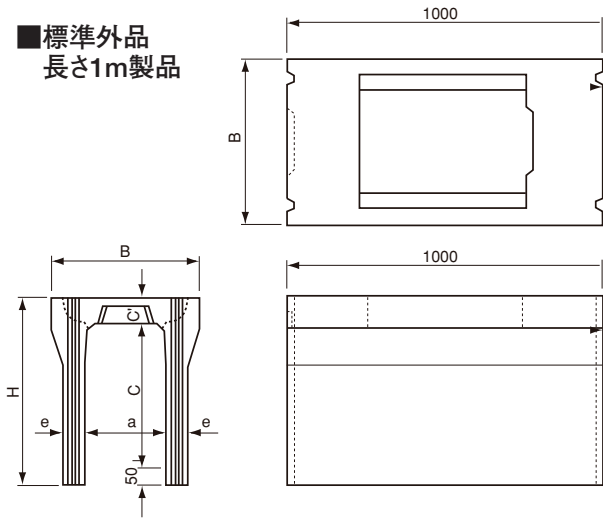
■長さ1.5m製品 (水路巾300~600mm)



規格寸法表

| 呼び名 (巾×深) | 参考質量 (kg) | 単価 (円) | 寸法 (mm) | | | | | | | | | |
|--------------|--------------|-----------|---------|------|------|------|-----|-----|-----|-----|-----|----|
| | | | B | H | a | c | c' | e | | | | |
| RS300× 300 | 295 | — | 510 | 450 | 300 | 300 | 100 | 55 | | | | |
| RS300× 400 | 334 | — | | 550 | | 400 | | | | | | |
| RS300× 500 | 372 | — | | 650 | | 500 | | | | | | |
| RS300× 600 | 455 | — | | 750 | | 600 | | | | | | |
| RS300× 700 | 500 | — | | 850 | | 700 | | | | | | |
| RS300× 800 | 660 | — | | 950 | | 800 | | | | | | |
| RS300× 900 | 720 | — | | 1050 | | 900 | | | | | | |
| RS300×1000 | 780 | — | | 1150 | | 1000 | | | | | | |
| RS300×1100 | 839 | — | | 1250 | | 1100 | | | | | | |
| RS400× 400 | 403 | — | | 620 | | 565 | | | 500 | 400 | 115 | 60 |
| RS400× 500 | 446 | — | | | | 665 | | | | 500 | | |
| RS400× 600 | 488 | — | 765 | | 600 | | | | | | | |
| RS400× 700 | 581 | — | 865 | | 700 | | | | | | | |
| RS400× 800 | 630 | — | 965 | | 800 | | | | | | | |
| RS400× 900 | 807 | — | 1065 | | 900 | | | | | | | |
| RS400×1000 | 870 | — | 1165 | | 1000 | | | | | | | |
| RS400×1100 | 933 | — | 1265 | | 1100 | | | | | | | |
| RS400×1200 | 997 | — | 1365 | | 1200 | | | | | | | |
| RS400×1300 | 1060 | — | 1465 | | 1300 | | | | | | | |
| RS500× 500 | 549 | — | 740 | | 680 | 600 | 500 | 130 | | 70 | | |
| RS500× 600 | 599 | — | | 780 | 600 | | | | | | | |
| RS500× 700 | 648 | — | | 880 | 700 | | | | | | | |
| RS500× 800 | 697 | — | | 980 | 800 | | | | | | | |
| RS500× 900 | 909 | — | | 1080 | 900 | | | | | | | |
| RS500×1000 | 976 | — | | 1180 | 1000 | | | | | | | |
| RS500×1100 | 1042 | — | | 1280 | 1100 | | | | | | | |
| RS500×1200 | 1109 | — | | 1380 | 1200 | | | | | | | |
| RS500×1300 | 1176 | — | | 1480 | 1300 | | | | | | | |
| RS500×1400 | 1243 | — | | 1580 | 1400 | | | | | | | |
| RS500×1500 | 1309 | — | | 1680 | 1500 | | | | | | | |
| RS500×1600 | 1376 | — | 1780 | 1600 | | | | | | | | |
| RS600× 600 | 679 | — | 830 | 795 | 600 | 600 | 145 | 75 | | | | |
| RS600× 700 | 732 | — | | 895 | | 700 | | | | | | |
| RS600× 800 | 785 | — | | 995 | | 800 | | | | | | |
| RS600× 900 | 837 | — | | 1095 | | 900 | | | | | | |
| RS600×1000 | 1070 | — | | 1195 | | 1000 | | | | | | |
| RS600×1100 | 1141 | — | | 1295 | | 1100 | | | | | | |
| RS600×1200 | 1211 | — | | 1395 | | 1200 | | | | | | |
| RS600×1300 | 1281 | — | | 1495 | | 1300 | | | | | | |
| RS600×1400 | 1351 | — | | 1595 | | 1400 | | | | | | |
| RS600×1500 | 1422 | — | | 1695 | | 1500 | | | | | | |
| RS600×1600 | 1492 | — | | 1795 | | 1600 | | | | | | |
| RS600×1700 | 1562 | — | 1895 | 1700 | | | | | | | | |
| RS600×1800 | 1768 | — | 1995 | 1800 | 1800 | 110 | | | | | | |

■標準外品
長さ1m製品

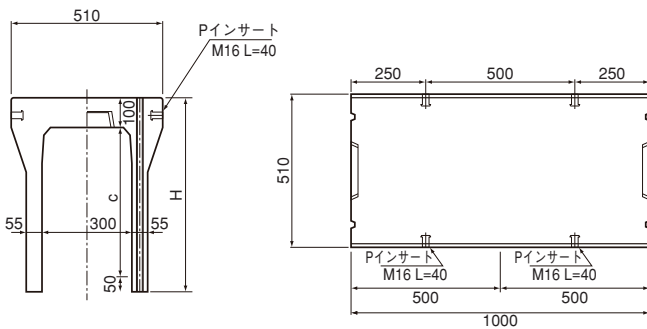


[注文品ですので、納入数、期日の御連絡をお願いいたします]

■規格寸法表

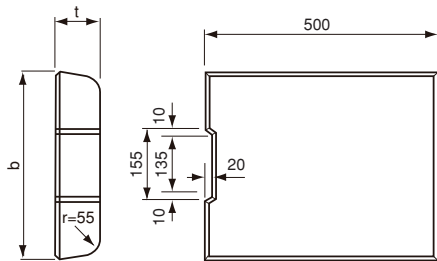
| 呼び名 (巾×深) | 参考質量 (kg) | 単価 (円) | 寸法 (mm) | | | | | | |
|--------------|--------------|-----------|---------|------|------|-----|-----|----|-----|
| | | | B | H | a | c | c' | e | |
| RS-300×300 | 180 | — | 510 | 450 | 300 | 100 | 100 | 55 | |
| RS-300×400 | 206 | — | | 550 | | | | | 400 |
| RS-300×500 | 231 | — | | 650 | | | | | 500 |
| RS-300×600 | 286 | — | | 750 | | | | | 600 |
| RS-300×700 | 316 | — | | 850 | | | | | 700 |
| RS-300×800 | 422 | — | | 950 | 800 | | | | |
| RS-300×900 | 462 | — | | 1050 | 900 | | | | |
| RS-300×1000 | 502 | — | | 1150 | 1000 | | | | |
| RS-300×1100 | 542 | — | | 1250 | 1100 | | | | |
| RS-400×400 | 245 | — | | 620 | 565 | 400 | 115 | 60 | |
| RS-400×500 | 273 | — | 665 | | 500 | | | | |
| RS-400×600 | 301 | — | 765 | | 600 | | | | |
| RS-400×700 | 363 | — | 865 | | 700 | | | | |
| RS-400×800 | 395 | — | 965 | | 800 | | | | |
| RS-400×900 | 513 | — | 1065 | | 900 | | | | |
| RS-400×1000 | 555 | — | 1165 | | 1000 | | | | |
| RS-400×1100 | 597 | — | 1265 | | 1100 | | | | |
| RS-400×1200 | 640 | — | 1365 | | 1200 | | | | |
| RS-400×1300 | 682 | — | 1465 | | 1300 | | | | |

■標準外品
長さ調整品 (L=500~L=1000)



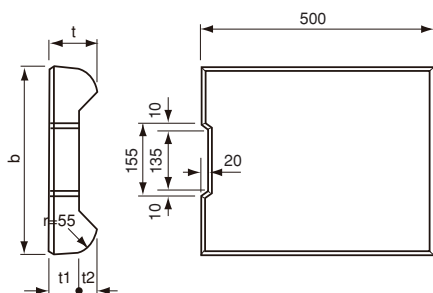
| 呼び名 巾×深 | 参考質量 (kg) | 単価 (円) | 寸法 (mm) | | |
|------------|--------------|-----------|---------|-----|------|
| | | | H | c | L |
| 300×300 | 224 | — | 450 | 300 | 1000 |
| 300×400 | 250 | — | 550 | 400 | 1000 |
| 300×500 | 275 | — | 650 | 500 | 1000 |

■車道用蓋



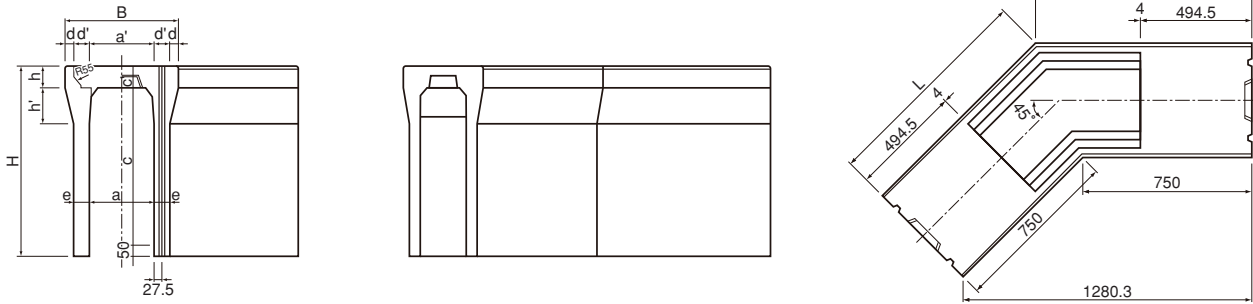
| 呼び名 | 参考質量 (kg) | 単価 (円) | 寸法 (mm) | |
|--------|--------------|-----------|---------|-----|
| | | | b | t |
| RC-300 | 44 | — | 410 | 95 |
| RC-400 | 64 | — | 510 | 110 |
| RC-500 | 88 | — | 620 | 125 |
| RC-600 | 113 | — | 700 | 140 |

■歩道用蓋



| 呼び名 | 参考質量 (kg) | 単価 (円) | 寸法 (mm) | | | |
|--------|--------------|-----------|---------|-----|----|----|
| | | | b | t | t1 | t2 |
| RC-300 | 32 | — | 410 | 95 | 55 | 40 |
| RC-400 | 45 | — | 510 | 110 | 65 | 45 |
| RC-500 | 62 | — | 620 | 125 | 75 | 50 |
| RC-600 | 76 | — | 700 | 140 | 80 | 60 |

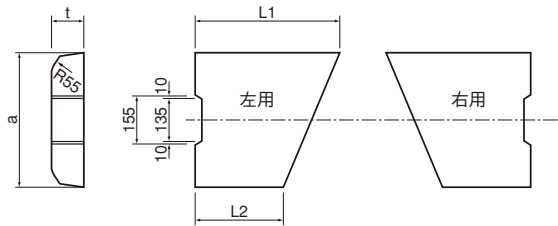
■RS隅切用(45°)



| 呼び名 (巾×深) | 参考質量 (kg) | 単価 (円) | 寸法(mm) | | | | | | | | | | | |
|--------------|--------------|-----------|--------|------|------|-----|-----|-----|----|------|-----|-----|------|------|
| | | | B | H | a | a' | c | c' | d | d' | h | h' | e | L |
| RS-300×300 | 350 | — | 510 | 450 | 300 | 281 | 300 | 100 | 45 | 69.5 | 95 | 160 | 961 | |
| RS-300×400 | 402 | — | | 550 | | | | | | | | | | 400 |
| RS-300×500 | 454 | — | | 650 | | | | | | | | | | 500 |
| RS-300×600 | 506 | — | | 750 | | | | | | | | | | 600 |
| RS-300×700 | 558 | — | | 850 | | | | | | | | | | 700 |
| RS-300×800 | 740 | — | | 950 | | | | | | | | | | 800 |
| RS-300×900 | 808 | — | | 1050 | | | | | | | | | | 900 |
| RS-300×1000 | 877 | — | | 1150 | | | | | | | | | | 1000 |
| RS-300×1100 | 945 | — | | 1250 | | | | | | | | | | 1100 |
| RS-400×400 | 484 | — | | 620 | | | | | | | | | | 565 |
| RS-400×500 | 542 | — | 665 | | 500 | | | | | | | | | |
| RS-400×600 | 599 | — | 765 | | 600 | | | | | | | | | |
| RS-400×700 | 657 | — | 865 | | 700 | | | | | | | | | |
| RS-400×800 | 715 | — | 965 | | 800 | | | | | | | | | |
| RS-400×900 | 922 | — | 1065 | | 900 | | | | | | | | | |
| RS-400×1000 | 996 | — | 1165 | | 1000 | | | | | | | | | |
| RS-400×1100 | 1070 | — | 1265 | | 1100 | | | | | | | | | |
| RS-400×1200 | 1144 | — | 1365 | | 1200 | | | | | | | | | |
| RS-400×1300 | 1218 | — | 1465 | | 1300 | | | | | | | | | |
| RS-500×500 | 623 | — | 740 | 680 | 500 | 477 | 500 | 130 | 55 | 76.5 | 125 | 17 | 1057 | |
| RS-500×600 | 682 | — | | 780 | | | | | | | | | | 600 |
| RS-500×700 | 742 | — | | 880 | | | | | | | | | | 700 |
| RS-500×800 | 801 | — | | 980 | | | | | | | | | | 800 |
| RS-500×900 | 1056 | — | | 1080 | | | | | | | | | | 900 |
| RS-500×1000 | 1136 | — | | 1180 | | | | | | | | | | 1000 |
| RS-500×1100 | 1216 | — | | 1280 | | | | | | | | | | 1100 |
| RS-500×1200 | 1297 | — | | 1380 | | | | | | | | | | 1200 |
| RS-500×1300 | 1377 | — | | 1480 | | | | | | | | | | 1300 |
| RS-500×1400 | 1458 | — | | 1580 | | | | | | | | | | 1400 |
| RS-500×1500 | 1538 | — | 1680 | 1500 | | | | | | | | | | |
| RS-500×1600 | 1619 | — | 1780 | 1600 | | | | | | | | | | |

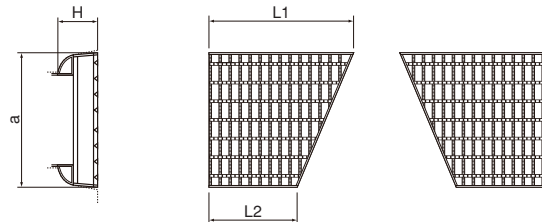
■RS隅切用コンクリート蓋

| 呼び名 車道用 | 参考質量 (kg) | 単価 (円) | 寸法(mm) | | | |
|------------|--------------|-----------|--------|-----|-----|-----|
| | | | a | t | L1 | L2 |
| 300 | 30 | — | 410 | 95 | 439 | 269 |
| 400 | 47 | — | 510 | 110 | 482 | 271 |
| 500 | 71 | — | 620 | 125 | 530 | 273 |

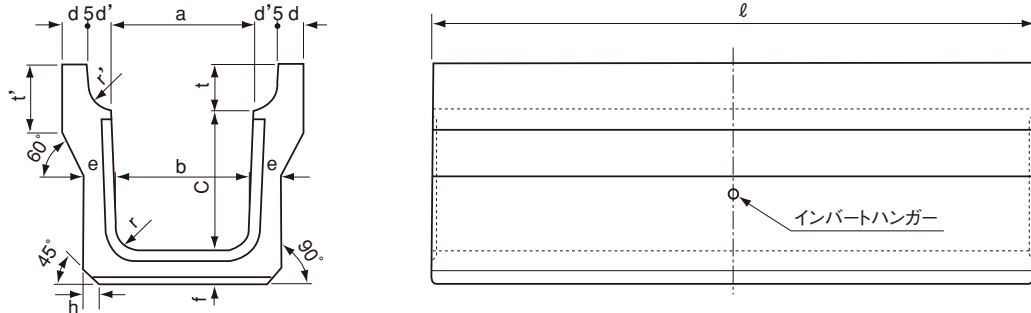


■RS隅切用グレーチング蓋(2枚1組)

| 呼び名 T-25 | 参考質量 (kg) | 単価 (円) | 寸法(mm) | | | |
|-------------|--------------|-----------|--------|-----|-----|-----|
| | | | a | L1 | L2 | H |
| 300(細目滑止め) | 42 | — | 410 | 442 | 272 | 95 |
| 400(細目滑止め) | 60 | — | 510 | 485 | 274 | 110 |
| 500(細目滑止め) | 97 | — | 615 | 533 | 278 | 125 |
| 300(普通目滑止め) | 37 | — | 410 | 442 | 272 | 95 |
| 400(普通目滑止め) | 46 | — | 510 | 485 | 274 | 110 |
| 500(普通目滑止め) | 65 | — | 615 | 533 | 278 | 125 |



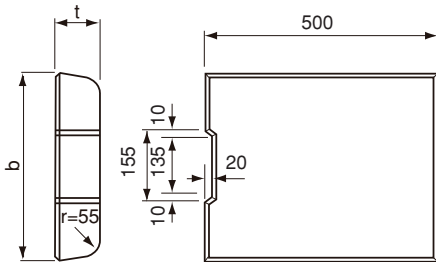
■本体



■規格寸法表

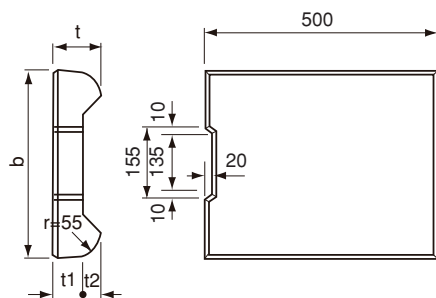
| 呼び名 | 参考質量 (kg) | 単価 (円) | 寸法 (mm) | | | | | | | | | | | | |
|---------|-----------|--------|---------|-----|-----|----|----|----|----|----|-----|-----|----|----|------|
| | | | a | b | c | d | d' | e | f | h | t | t' | r' | r | ℓ |
| RU-250 | 345 | — | 250 | 230 | 250 | 45 | 55 | 65 | 65 | 30 | 90 | 130 | 55 | 50 | 2000 |
| RU-300A | 431 | — | 300 | 280 | 300 | 50 | 55 | 70 | 70 | 30 | 95 | 150 | 55 | 50 | 2000 |
| RU-300B | 484 | — | 300 | 270 | 400 | 50 | 55 | 70 | 70 | 40 | 95 | 150 | 55 | 50 | 2000 |
| RU-300C | 596 | — | 300 | 260 | 500 | 50 | 55 | 80 | 80 | 40 | 95 | 150 | 55 | 50 | 2000 |
| RU-400A | 529 | — | 400 | 370 | 400 | 55 | 55 | 70 | 70 | 40 | 110 | 150 | 55 | 50 | 2000 |
| RU-400B | 647 | — | 400 | 360 | 500 | 55 | 55 | 80 | 80 | 40 | 110 | 150 | 55 | 50 | 2000 |
| RU-500A | 710 | — | 500 | 460 | 500 | 60 | 60 | 80 | 80 | 40 | 125 | 165 | 55 | 50 | 2000 |
| RU-500B | 859 | — | 500 | 450 | 600 | 60 | 60 | 90 | 90 | 40 | 125 | 185 | 55 | 50 | 2000 |

■車道用蓋



| 呼び名 | 参考質量 (kg) | 単価 (円) | 寸法 (mm) | |
|--------|-----------|--------|---------|-----|
| | | | b | t |
| RC-250 | 36 | — | 360 | 90 |
| RC-300 | 44 | — | 410 | 95 |
| RC-400 | 64 | — | 510 | 110 |
| RC-500 | 88 | — | 620 | 125 |

■歩道用蓋

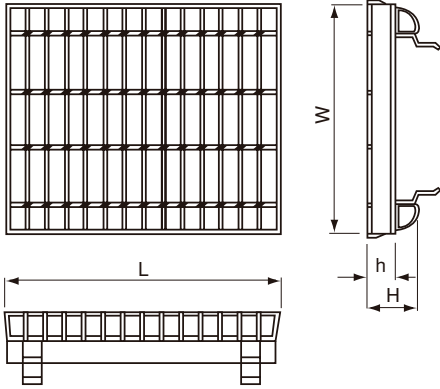


| 呼び名 | 参考質量 (kg) | 単価 (円) | 寸法 (mm) | | | |
|--------|-----------|--------|---------|-----|----|----|
| | | | b | t | t1 | t2 |
| RC-250 | 27 | — | 360 | 90 | 55 | 35 |
| RC-300 | 32 | — | 410 | 95 | 55 | 40 |
| RC-400 | 45 | — | 510 | 110 | 65 | 45 |
| RC-500 | 62 | — | 620 | 125 | 75 | 50 |

|| スチールグレーチング ||

■RS・RU用グレーチング

ノンスリップ 普通目



| 荷重 | 溝幅 (mm) | 呼び名 | | 参考質量 (kg) | 単 価 (円) | 寸 法 (mm) | | | | |
|------|------------|--------|--------|--------------|------------|----------|-----|-----|-----|-----|
| | | | | | | W | L | h | H | |
| T-25 | 250 | RS | 250普通目 | 1.0m | 26.3 | — | 360 | 995 | 44 | 90 |
| | | RU | 250普通目 | 0.5m | 13.7 | — | 360 | 495 | 44 | 90 |
| | 300 | RS | 300普通目 | 1.0m | 35.9 | — | 410 | 995 | 50 | 95 |
| | | RU | 300普通目 | 0.5m | 18.6 | — | 410 | 495 | 50 | 95 |
| | 400 | RS | 400普通目 | 1.0m | 48.9 | — | 510 | 995 | 55 | 110 |
| | | RU | 400普通目 | 0.5m | 25.2 | — | 510 | 495 | 55 | 110 |
| 500 | RS | 500普通目 | 1.0m | 68.8 | — | 620 | 995 | 75 | 125 | |
| | RU | 500普通目 | 0.5m | 35.6 | — | 620 | 495 | 75 | 125 | |
| T-2 | 250 | RS | 250普通目 | 1.0m | 23.7 | — | 360 | 995 | 25 | 90 |
| | | RU | 250普通目 | 0.5m | 12.5 | — | 360 | 495 | 25 | 90 |
| | 300 | RS | 300普通目 | 1.0m | 28.2 | — | 410 | 995 | 25 | 95 |
| | | RU | 300普通目 | 0.5m | 14.6 | — | 410 | 495 | 25 | 95 |
| | 400 | RS | 400普通目 | 1.0m | 35.7 | — | 510 | 995 | 25 | 110 |
| | | RU | 400普通目 | 0.5m | 17.2 | — | 510 | 495 | 25 | 110 |
| 500 | RS | 500普通目 | 1.0m | 38.5 | — | 620 | 995 | 25 | 125 | |
| | RU | 500普通目 | 0.5m | 19.5 | — | 620 | 495 | 25 | 125 | |
| 600 | RS | 600普通目 | 1.0m | 57.6 | — | 700 | 995 | 38 | 140 | |
| | RU | 600普通目 | 0.5m | 33.4 | — | 700 | 495 | 38 | 140 | |

ノンスリップ 細目

| 荷重 | 溝幅 (mm) | 呼び名 | | 参考質量 (kg) | 単 価 (円) | 寸 法 (mm) | | | | |
|------|------------|-------|-------|--------------|------------|----------|-----|-----|-----|-----|
| | | | | | | W | L | h | H | |
| T-25 | 250 | RS | 250細目 | 1.0m | 33.3 | — | 360 | 995 | 32 | 90 |
| | | RU | 250細目 | 0.5m | 17.2 | — | 360 | 495 | 32 | 90 |
| | 300 | RS | 300細目 | 1.0m | 41.8 | — | 410 | 995 | 38 | 95 |
| | | RU | 300細目 | 0.5m | 21.5 | — | 410 | 495 | 38 | 95 |
| | 400 | RS | 400細目 | 1.0m | 59.4 | — | 510 | 995 | 44 | 110 |
| | | RU | 400細目 | 0.5m | 30.3 | — | 510 | 495 | 44 | 110 |
| 500 | RS | 500細目 | 1.0m | 99.8 | — | 620 | 995 | 50 | 125 | |
| | RU | 500細目 | 0.5m | 50.8 | — | 620 | 495 | 50 | 125 | |
| 600 | RS | 600細目 | 1.0m | 112.5 | — | 700 | 995 | 50 | 140 | |
| | RU | 600細目 | 0.5m | 57.2 | — | 700 | 495 | 50 | 140 | |
| T-2 | 250 | RS | 250細目 | 1.0m | 31.0 | — | 360 | 995 | 25 | 90 |
| | | RU | 250細目 | 0.5m | 17.0 | — | 360 | 495 | 25 | 90 |
| | 300 | RS | 300細目 | 1.0m | 35.9 | — | 410 | 995 | 25 | 95 |
| | | RU | 300細目 | 0.5m | 17.7 | — | 410 | 495 | 25 | 95 |
| | 400 | RS | 400細目 | 1.0m | 48.5 | — | 510 | 995 | 25 | 110 |
| | | RU | 400細目 | 0.5m | 23.8 | — | 510 | 495 | 25 | 110 |
| 500 | RS | 500細目 | 1.0m | 51.4 | — | 620 | 995 | 25 | 125 | |
| | RU | 500細目 | 0.5m | 24.9 | — | 620 | 495 | 25 | 125 | |
| 600 | RS | 600細目 | 1.0m | 65.3 | — | 700 | 995 | 32 | 140 | |
| | RU | 600細目 | 0.5m | 33.4 | — | 700 | 495 | 32 | 140 | |

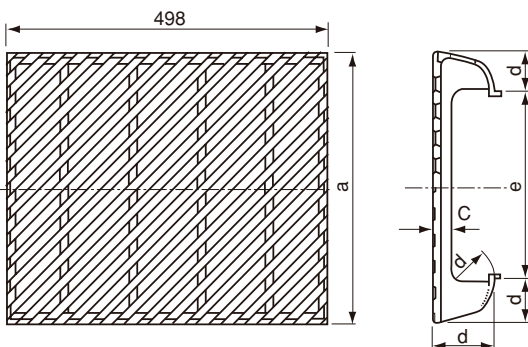
※RSタイプについては、製品の高さによってストッパー位置が異なりますので、製品の高さごとに注文をお願いします。

※その他、ブレンタイプ、景観対応タイプ(ワイングラスバー等)も別途お見積り致します。

※RUタイプをご用命の際は型式記号SをUとして御注文願います。

|| ダクタイルグレーチング (亜鉛メッキ処理) ||

U型側溝 (RUタイプ)



| 側溝幅 | 呼び名 | 参考質量 (kg) | 単 価 (円) | 寸 法 (mm) | | | | |
|-----|---------|--------------|------------|----------|-----|----|----|-----|
| | | | | a | b | c | d | e |
| 250 | RCS-250 | 16.5 | — | 360 | 90 | 25 | 55 | 250 |
| 300 | RCS-300 | 20.0 | — | 410 | 95 | 30 | 55 | 300 |
| 400 | RCS-400 | 24.1 | — | 510 | 110 | 35 | 55 | 400 |
| 500 | RCS-500 | 31.0 | — | 620 | 125 | 40 | 55 | 500 |

自由勾配側溝 (RSタイプ)

| 側溝幅 | 呼び名 | 参考質量 (kg) | 単 価 (円) | 寸 法 (mm) | | | | |
|-----|----------|--------------|------------|----------|-----|----|----|-----|
| | | | | a | b | c | d | e |
| 300 | RCS-300S | 20.0 | — | 410 | 95 | 30 | 55 | 300 |
| 400 | RCS-400S | 24.1 | — | 510 | 110 | 35 | 55 | 400 |
| 500 | RCS-500S | 31.0 | — | 620 | 125 | 40 | 55 | 500 |
| 600 | RCS-600S | 41.0 | — | 700 | 140 | 55 | 65 | 570 |